

1

2

3

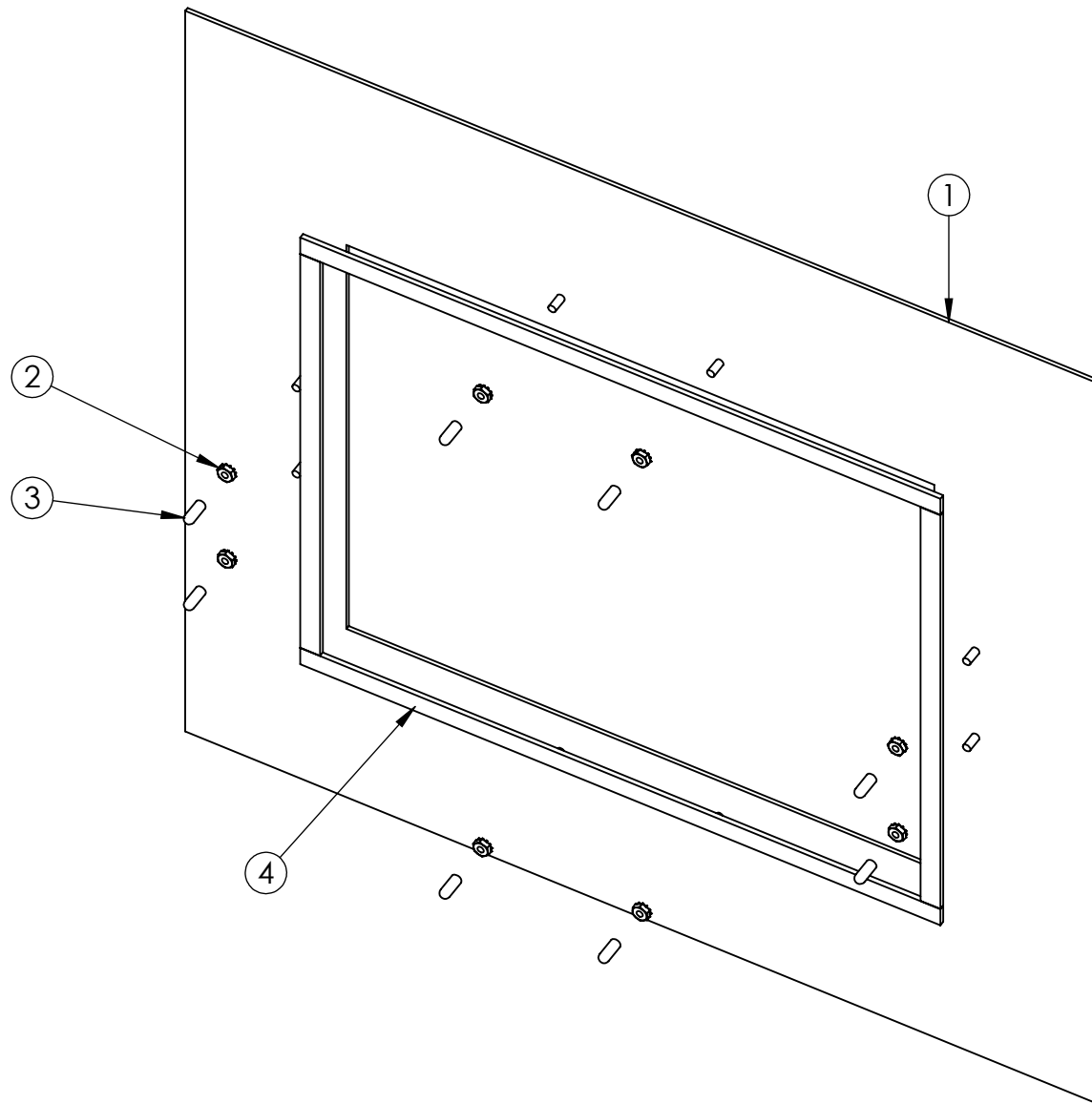
4

5

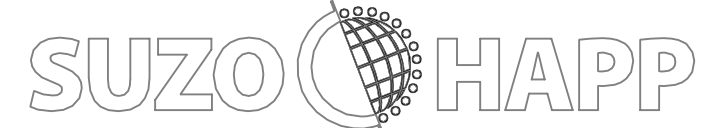
DRAWING NO.  
49-2765-19G3

REV.	ZONE	DESCRIPTION OF CHANGE	E.C.N. #	BY	DATE
C	-	ADDED 43-2126-00 QTY. 8	30590	JAR	10/04/13

ITEM NO.	QTY.	PART NO.	DESCRIPTION
1	1	49-2765-10G3	19" LCD METAL BEZEL ONLY
2	8	42-0093-00	NUT, 10-32 HEX SEMS, ZINC PLTD
3	8	43-2126-00	VINYL CAP RED .172 X .500 FOR 10-32 SCREW THREAD
4	1	49-2708-40	FOAM SEAL 1/8" THICK X 1/2" WIDE ADHESIVE BACKED



**RELEASED**  
By Jose Rodriguez at 2:08 pm, Oct



*Solutions Focused. Technology Driven.*

DRAWING NAME  
LCD METAL BEZEL KT 19" F/ WOOD UPRIGHT  
CAB. 22.94"W X 22.25H

DRAWN BY	JAR	DATE	07/15/08	CHECKED BY		DATE		
SIZE	B	SCALE	1:4	DRAWING NO.	49-2765-19G3		REV.	C
SHEET			Sheet 1					

NOTE:  
PART/ASSEMBLY MUST BE RoHS2 COMPLIANT IN ACCORDANCE WITH DIRECTIVE 2011/65/EU OF THE EUROPEAN PARLIAMENT AND THE COUNCIL OF JUNE 8, 2011 (RoHS RECAST).

<b>Material:</b>	-
<b>Finish:</b>	-
TOLERANCES ARE: FRACTIONS    DECIMALS    ANGLES ± 1/32        XX ± .01        ± 0°30'	
XXX ± .005 UNLESS OTHERWISE SPECIFIED, DIMENSIONS ARE IN INCHES.	
<b>DO NOT SCALE DRAWING.</b>	
THIS PRINT IS THE PROPERTY OF SUZO HAPP GROUP. AND SHALL NOT BE REPRODUCED, COPIED NOR DISCLOSED TO OTHERS. PRINT TO BE RETURNED UPON REQUEST.	

1

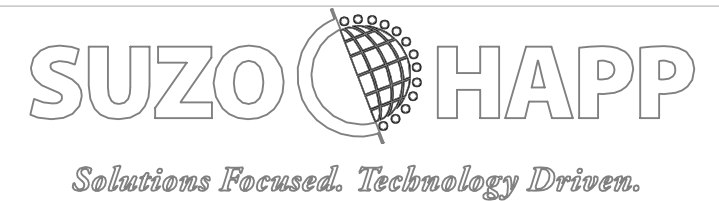
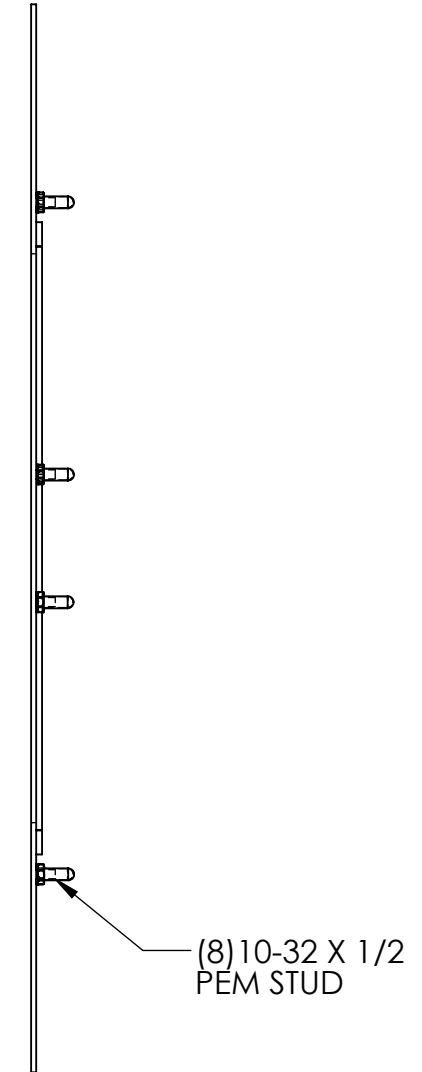
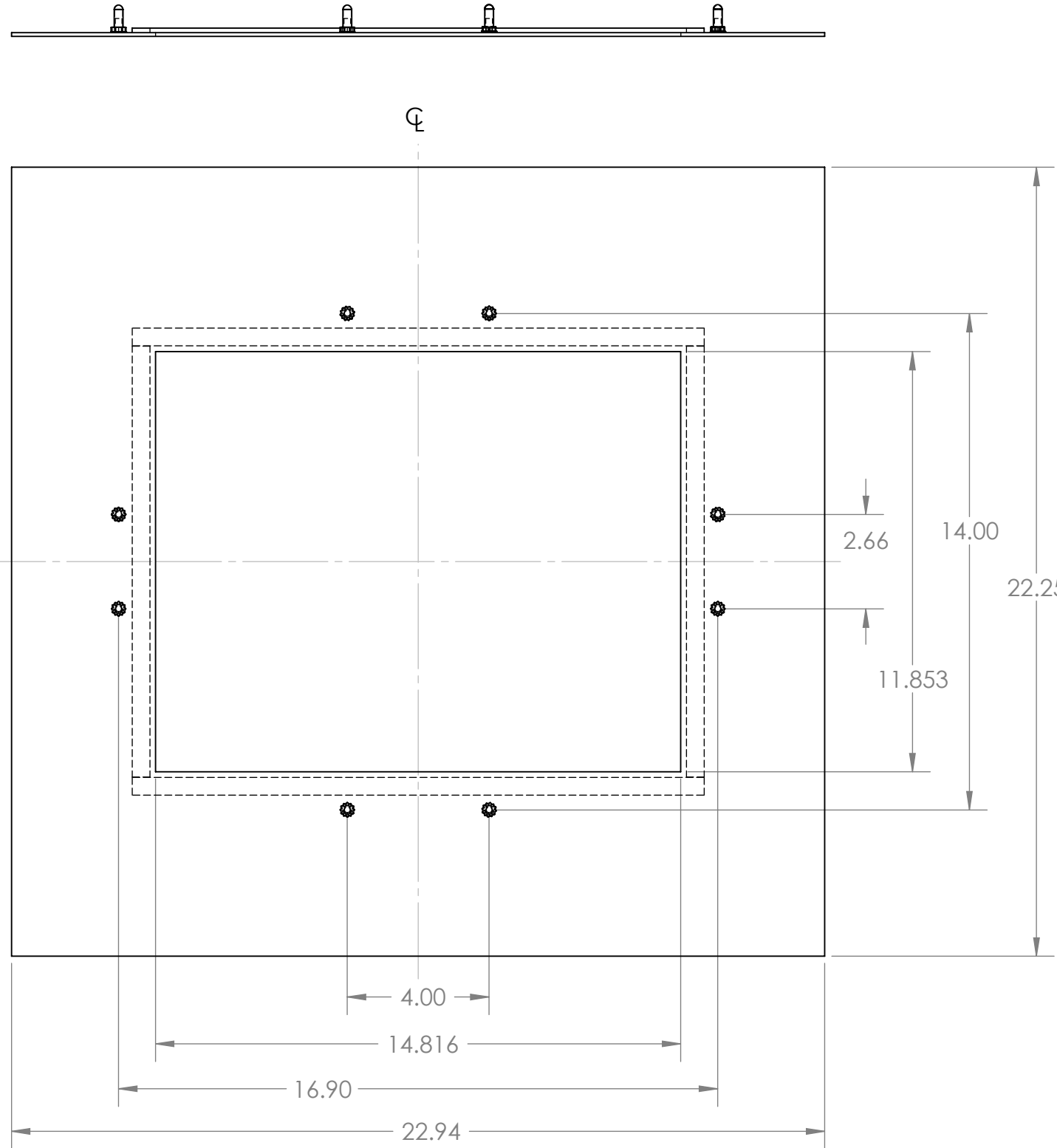
2

3

4

5

DRAWING NO.  
49-2765-19G3



DRAWING NAME			
LCD METAL BEZEL KT 19" F/ WOOD UPRIGHT CAB. 22.94"W X 22.25H			
DRAWN BY	JAR	DATE	07/15/08
CHECKED BY		DATE	
SIZE	B	SCALE	1:4
SHEET	Sheet 2	DRAWING NO.	49-2765-19G3
REV.	C		

<b>Material:</b>	-
<b>Finish:</b>	-
TOLERANCES ARE: FRACTIONS    DECIMALS    ANGLES $\pm 1/32$ $XX \pm .01$ $\pm 0^{\circ}30'$ $XXX \pm .005$ UNLESS OTHERWISE SPECIFIED, DIMENSIONS ARE IN INCHES.	
<b>DO NOT SCALE DRAWING.</b>	
THIS PRINT IS THE PROPERTY OF SUZO HAPP GROUP. AND SHALL NOT BE REPRODUCED, COPIED NOR DISCLOSED TO OTHERS. PRINT TO BE RETURNED UPON REQUEST.	

D  
C  
B  
A

1

2

3

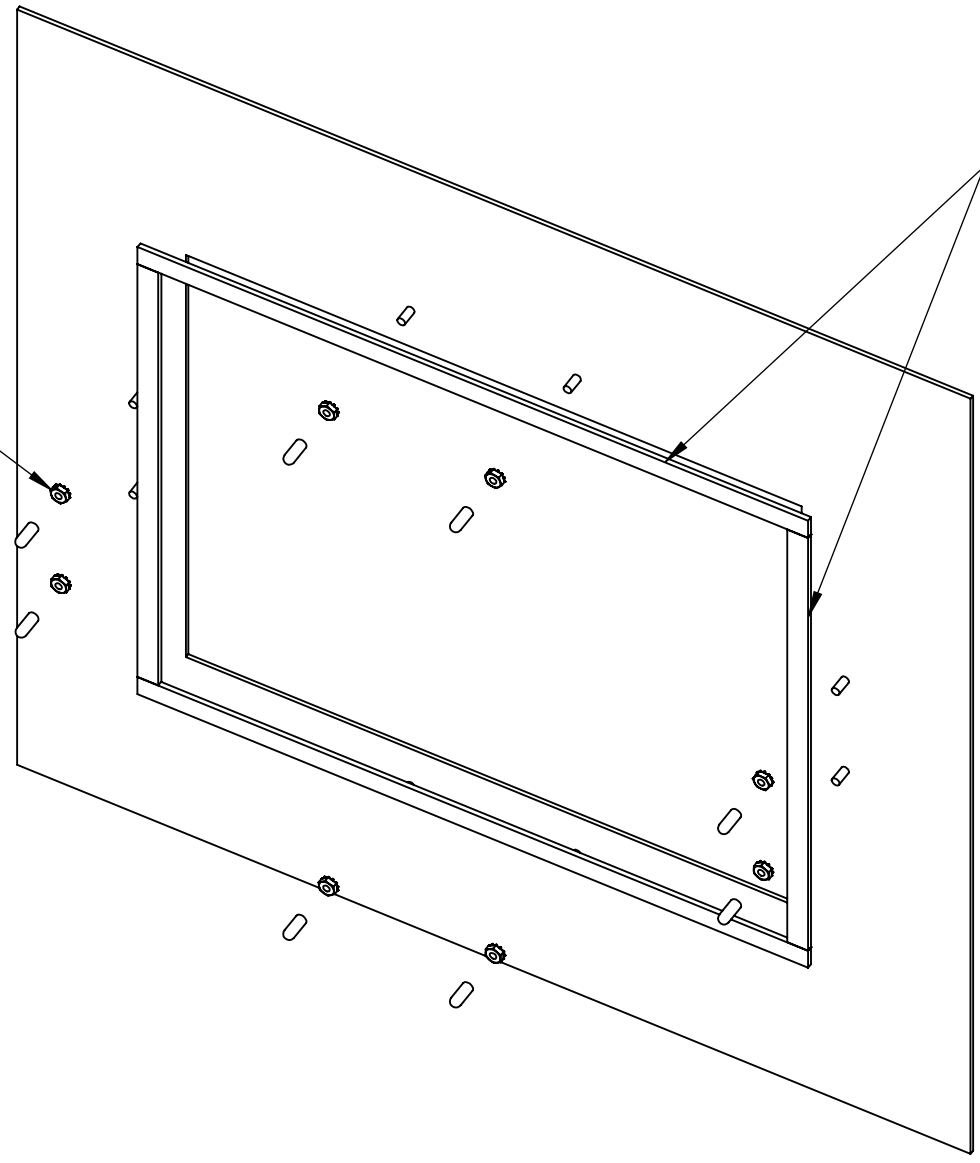
4

5

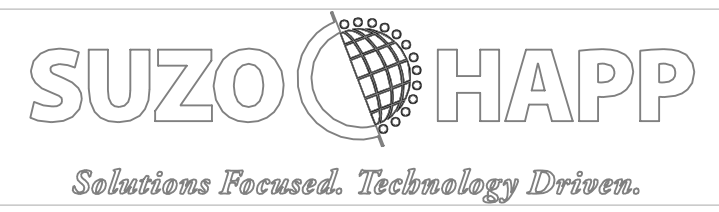
DRAWING NO.  
49-2765-19G3

NUTS TO BE  
SPINNED BY HAND  
UNTIL SECURE  
THEN INSTALL  
VINYL CAPS

APPLY FOAM SEAL 49-2708-40  
ALL AROUND THE VIEWING AREA



**RELEASED**  
By Jose Rodriguez at 2:09 pm, Oct



DRAWING NAME			
LCD METAL BEZEL KT 19" F/ WOOD UPRIGHT CAB. 22.94"W X 22.25H			
DRAWN BY	JAR	DATE	07/15/08
CHECKED BY		DATE	
SIZE	B	SCALE	1:4
SHEET		Sheet	Sheet 3
DRAWING NO.		49-2765-19G3	
REV.	C		

<b>Material:</b>	-
<b>Finish:</b>	-
TOLERANCES ARE: FRACTIONS    DECIMALS    ANGLES ± 1/32        XX ± .01        ± 0°30' XXX ± .005 UNLESS OTHERWISE SPECIFIED, DIMENSIONS ARE IN INCHES.	
<b>DO NOT SCALE DRAWING.</b>	
THIS PRINT IS THE PROPERTY OF SUZO HAPP GROUP. AND SHALL NOT BE REPRODUCED, COPIED NOR DISCLOSED TO OTHERS. PRINT TO BE RETURNED UPON REQUEST.	

D  
C  
B  
A